

MLT-X735

TECHNICAL DATA SHEET



 **MANITOU**

www.manitou.com

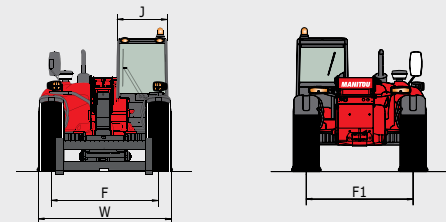
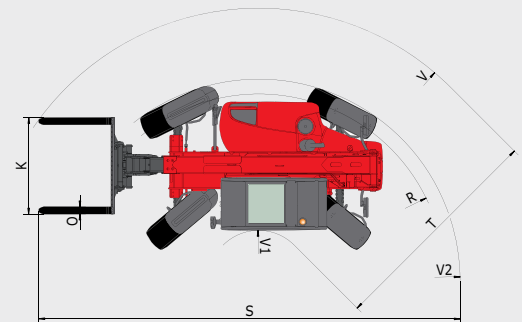
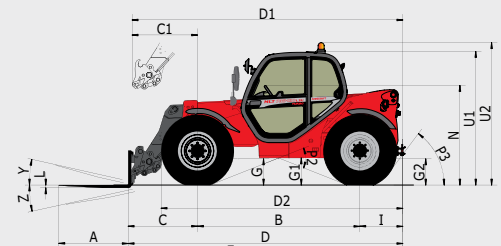
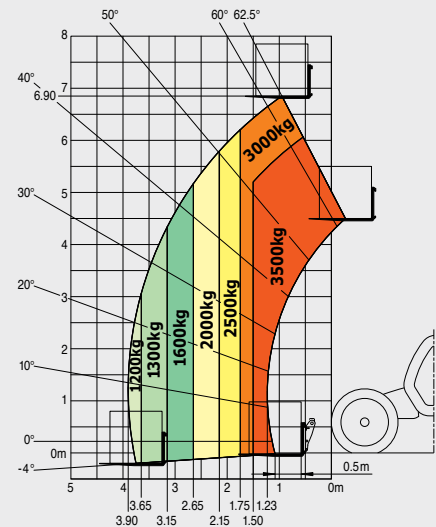
MLT-X735

	MLT-X 735 TLSU	MLT-X 735-120 LSU
Lifting capacity at 500 mm from fork heels	3500 kg	
Break-out force	3600 daN	3700 daN
Lifting height	6.90 m	
Time: laden/unladen (in sec)		
Lifting	7.30/7.50	6.70/7.30
Lowering	5.60/5.60	4.80/4.60
Extension	8.20/8.30	7.10/7.30
Retraction	6.60/6.80	5.70/5.50
Crowd	3.20	2.00
Dump	2.70	2.30
Tyres	460/70 R24	
Forks (mm)		
Length x width x thickness	1200 x 125 x 45	
Carriage rotation	146°	
Braking	multiple-disk brake with oil bath on front and rear axles	
PERKINS STAGE III A engine	1104D-44TA	1104E-44 TA
Cubic capacity	4 cyl. Turbo/4400 cm ³	
Power at 2200 rpm (ISO/TR 14396)	101 HP/74.5 kW	124 HP/91 kW
Max. torque at 1400 rpm (ISO/TR 14396)	410 Nm	490 Nm
Injection	direct	
Cooling	water	
Transmission	torque converter	
Gearbox	Powershuttle	
Number of gears (forward/reverse)	4/4	
Max. travel speed	35 kph*	
Hydraulics	110 l/min - 270 bar	150 l/min - 270 bar
Piston pump	variable cubic capacity	electronically controlled variable cubic capacity
Control valve	DDIC	
Capacities		
Hydraulic oil	135 l	
Fuel	120 l	
Unladen weight (with forks)	7075 kg	7100 kg
Width overall	2.40 m	
Height overall	2.30 m	
Length overall	4.87 m	
Turning radius (outer wheels)	3.77 m	
Ground clearance	0.44 m	
Drawbar pull	up to 8770 daN	
Noise at driving position (LpA)	79 dB	
Environmental noise (LwA)	106 dB	
Vibration to whole hand/arm	< 2.5 m/s ²	

A	1200	D2	4165	I	789	P3	53°	V1	1310
B	2810	E	5990.4	J	980	R	3685	V2	3918.5
C	1191.4	F	1935	K	1260	S	7714.9	W	2402
C1	1287	F1	1935	L	45	T	3575	Y	12.5°
D	4790.4	G	450	N	1715	U1	2295	Z	133.7°
D1	4886	G1	435	O	125	U2	2545		
		G2	435	P2	38°	V	4885		

Maximum height reach: 1.03 m

As per standard EN 1459 annex B



This brochure describes versions and configuration options for Manitou products which may be fitted with different equipment. The equipment described in this brochure may be standard, optional or not available depending on version. Manitou reserves the right to change the specifications shown and described at any time and without prior warning. The manufacturer is not liable for the specifications given. For more information, contact your Manitou dealer. Non-contractual document. Product descriptions may differ from actual products. List of specifications is not comprehensive. The logos and visual identity of the company are the property of Manitou and may not be used without authorisation. All rights reserved. The photos and diagrams contained in this brochure are provided for information only.

MANITOU BF SA - Limited company with board of directors - Share capital: 39,547,824 euros - 857 802 508 RCS Nantes

