

Technical sheet :

# 180 ATJ



 **MANITOU**  
HANDLING YOUR WORLD

Get in touch today for sales enquiries or further information

[CONTACT US](#)

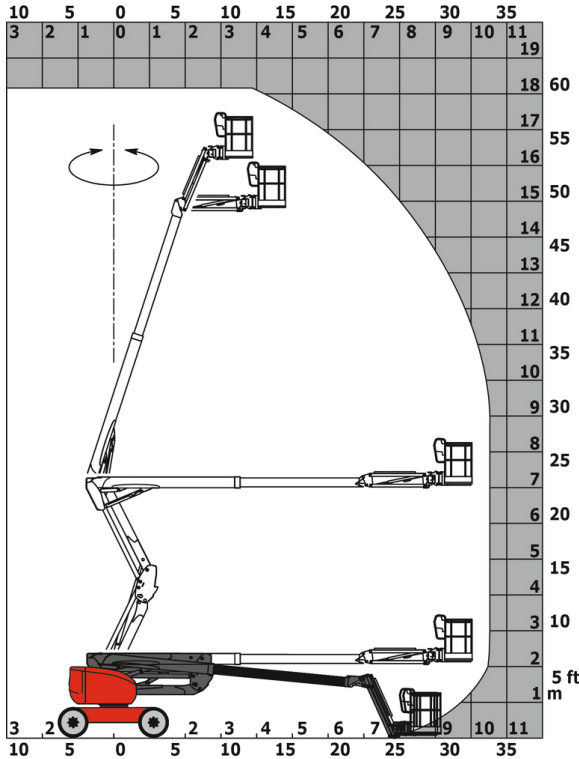
 0800 30 30 90 [abequipment.co.nz](http://abequipment.co.nz)



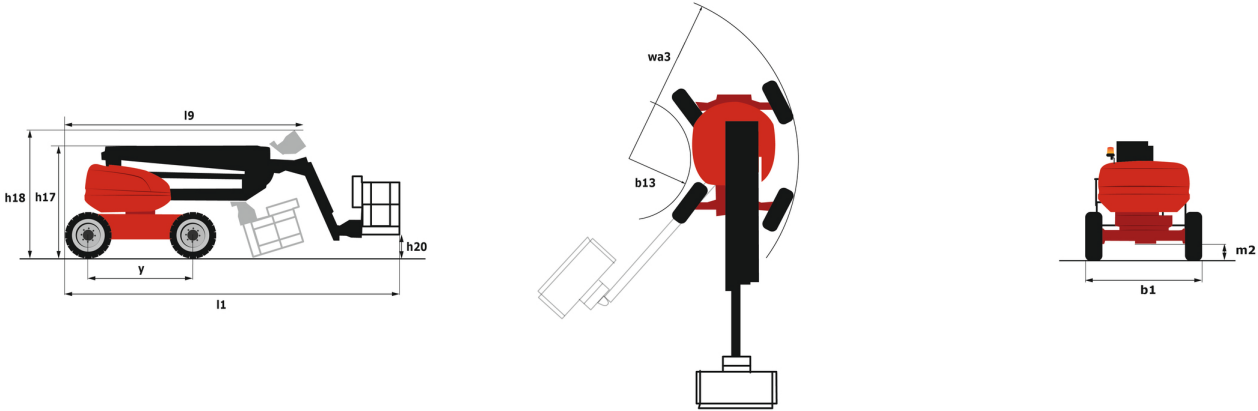
Capacities		Metric
Working height	h21	18.19 m
Platform height	h7	16.19 m
Max. outreach		10.51 m
Overhang		7.55 m
Pendular arm rotation (bottom)		+59.50 °
Platform capacity	Q	230 kg
Turret rotation		350 °
Platform rotation (right / left)		90 ° / 90 °
Number of people (inside / outside)		2 / 2
Weight and dimensions		
Platform weight*		7430 kg
Platform dimensions (length x width)	lp / ep	1.80 m x 0.80 m
Overall width	b1	2.32 m
Overall length	l1	7.79 m
Overall height	h17	2.47 m
Overall length (stowed)	l9	5.56 m
Overall height (stowed)	h18	2.56 m
Floor height (access)	h20	0.40 m
Counterweight offset (turret at 90°)	a7	0.22 m
Internal turning radius (over tyres)	b13	1.38 m
External turning radius	Wa3	3.75 m
Ground clearance at centre of wheelbase	m2	0.40 m
Wheelbase	y	2.20 m
Performances		
Drive speed - stowed		5 km/h
Drive speed - raised		1 km/h
Gradeability		45 %
Permissible leveling		5 °
Wheels		
Tyres type		Foam-filled
Drive wheels (front / rear)		2 / 2
Steering wheels (front / rear)		2 / 2
Braking wheels (front / rear)		0 / 2
Engine/Battery		
Engine brand / model		Kubota - D1105-E4B
Engine nom		Interim Tier 4, Stage IIIA, Stage V
I.C. Engine power rating / Power (kW)		24.80 Hp / 18.50 kW
Miscellaneous		
Ground Pressure		10 dan/cm2
Hydraulic Pressure		340 bar
Hydraulic tank capacity		54 l
Fuel tank		52 l
Vibration on hands/arms		< 0 m/s <sup>2</sup>
Daily consumption **		4.26 l
Standards compliance		
This machine is in compliance with:		European directives: 2006/42/EC - Machinery (revised EN280:2013) - 2004/108/EC (EMC) - 2006/95/EC (Low voltage)

# 180 ATJ - Load chart

## Load Chart for AWP Metric



# 180 ATJ - Dimensional drawing



# Equipment

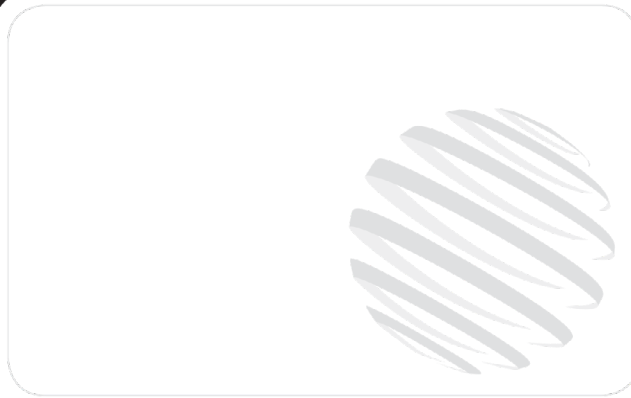
---

## Standard

220V predisposition in the platform  
4 simultaneous movements  
4 wheel drive  
4 wheel steer with crab mode  
Audible alarm and illuminated indicator lamp (leveling, overload, lowering)  
Backup electrical pump  
Basket 1,800 mm  
CAN bus technology  
Differential locking on rear axle  
Easy Manager  
Emergency stop button in platform and on frame  
Fuel gauge with low level indicator  
Fully galvanized basket with demountable floor  
Hour meter  
Leveling unlocking  
Load sensing pump  
Operator presence pedal  
Oscillating front axle  
Rear axle with limited slip differential  
Steer and rotate  
Stop & Go system

## Optional

Air predisposition  
Battery charger  
Battery cut-off  
Beep on every movement  
Beep upon travel  
Biodegradable oil  
Coded anti-start  
Continuous turret rotation  
Exhaust line protection, spark arrester and fume reduction system  
Extreme cold oil  
Fully galvanized basket 1800mm with lateral door  
Galvanized basket 2,100 mm  
Highly capacity battery  
Lockable fuel cap  
Onboard generator (3,5 or 5 kW)  
Personalized paintwork  
SPS : Secondary protection system  
Safety harness  
Spark arrester  
Water heater  
Water predisposition  
Working light



Siège Social  
430 rue de l'Aubinière - 44150 Ancenis Cedex - France  
Tel: +33(0)2 40 09 10 11 - Fax: +33 (0)2 40 09 10 97  
[www.manitou.com](http://www.manitou.com)



This brochure describes versions and configuration options for Manitou products which may be fitted with different equipment. The equipment described in this brochure may be standard, optional or not available depending on version. Manitou reserves the right to change the specifications shown and described at any time and without prior warning. The manufacturer is not liable for the specifications given. For more information, contact your Manitou dealer. Non-contractual document. Product descriptions may differ from actual products. List of specifications is not comprehensive. The logos and visual identity of the company are the property of Manitou and may not be used without authorisation. All rights reserved. The photos and diagrams contained in this brochure are provided for information only.

MANITOU BF SA - Limited company with board of directors - Share capital: 39,668,399 euros - 857 802 508 RCS Nantes

Get in touch today for sales enquiries or further information

CONTACT US



0800 30 30 90

[abequipment.co.nz](http://abequipment.co.nz)

